



Compact Cartridge Filters & Housings - for Laboratory -

Evaluation for ink, resist, developer, and various industrial fluid applications



Compact Cartridge Filters

Optimized test filters for laboratory tests, process developments, and small-scale evaluations

for Ink, Resist, Developer, and Various Industrial Fluids



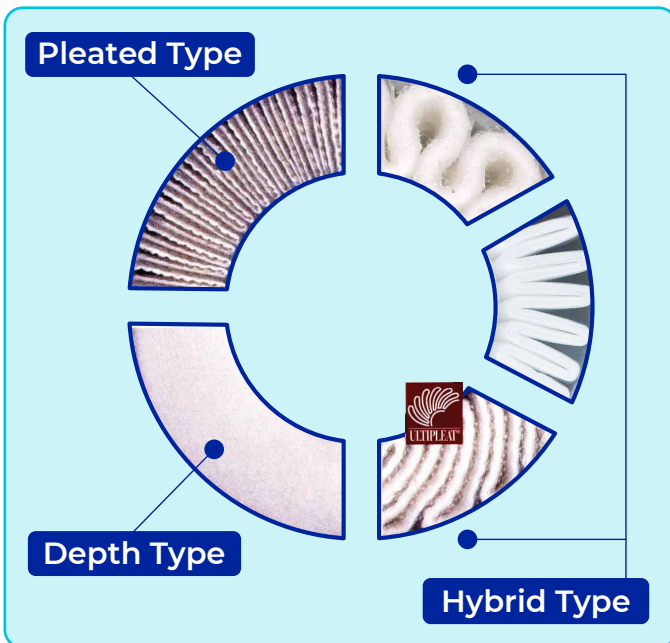
1-inch test filters are specifically recommended for R&D laboratory applications. They can be widely used for various types of fluids, such as ink, resist, and developer, in the wide range application from the semiconductor, macro electronics and chemical industries to general industrial applications.

These 1-inch cartridge filters are smaller versions of Pall's standard-size 10-inch type filters that have a long history in various industrial fields.

These cartridge filters can be used to select optimal media materials or / and micro rating. They also allow users to easily verify operating conditions for scale-up Filter sizing as well.

Notice : Please note that these compact Filter are used only for laboratory application not production purpose.

■ Cross-sectional photo of media structure



- Available in 1-inch and 1.4-inch sizes (Nominal length)
- Various media structure
- Four kinds of media materials
- Easy to scale up
- Easy filter evaluation

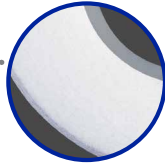
For Filter specifications and each detail, refer to individual data sheets.

Please contact a Pall's office for the filtration test method, test line assembly method, and details on filter housings.



Profile® II

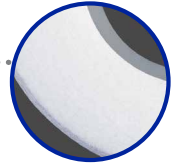
- 1 Media Material : Polypropylene
- 2 Cartridge Length : 1 inch
- 3 Gasket : EPDM (standard)
- 4 Sales Unit : 6 pcs



Removal Ratings (µm)	Part Numbers
0.2	5EC4888389002J
0.3	5EC4888389003J
0.5	5EC4888389005J
0.7	5EC4888389007J
1.0	5EC4888389010J
2	5EC4888389020J
3	5EC4888389030J
5	5EC4888389050J
7	5EC4888389070J
10	5EC4888389100J
20	5EC4888389200J
30	5EC4888389300J
40	5EC4888389400J
70	5EC4888389700J
90	5EC4888389900J

Nexis® A Series

- 1 Media Material : Polypropylene
- 2 Cartridge Length : 1.4 inch
- 3 Gasket : EPDM (standard)
- 4 Sales Unit : 5 pcs



Removal Ratings (µm)	Part Numbers
0.5	NXA 0.5-TFU-DOEE 47
1	NXA 1-TFU-DOEE 47
3	NXA 3-TFU-DOEE 47
5	NXA 5-TFU-DOEE 47
10	NXA 10-TFU-DOEE 47

Profile® UP

- 1 Media Material : Polypropylene
- 2 Cartridge Length : 1 inch
- 3 Gasket : EPDM (standard)
- 4 Sales Unit : 6 pcs



Removal Ratings (µm)	Part Numbers
2	PUY01UY020J
4.5	PUY01UY045J
6	PUY01UY060J
10	PUY01UY100J
20	PUY01UY200J
30	PUY01UY300J
40	PUY01UY400J
50	PUY01UY500J

Profile® Star

- 1 Media Material : Polypropylene
- 2 Cartridge Length : 1.4 inch
- 3 Gasket : EPDM (standard)
- 4 Sales Unit : 6 pcs



Removal Ratings (µm)	Part Numbers
0.8	H1A1A0081J
1.0	H1A1A0101J
1.5	H1A1A0151J
3	H1A1A0301J
5	H1A1A0501J
10	H1A1A1001J
20	H1A1A2001J
40	H1A1A4001J
90	H1A1A9001J

Poly-Fine® XLD

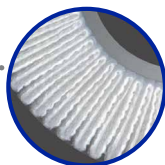
- 1 Media Material : Polypropylene
- 2 Cartridge Length : 1.4 inch
- 3 Gasket : EPDM (standard)
- 4 Sales Unit : 5 pcs



Removal Ratings (µm)	Part Numbers
1.5	XLD 1.5-TFUE 147
3	XLD 3-TFUE 147
4.5	XLD 4.5-TFUE 147
10	XLD 10-TFUE 147

Water Fine

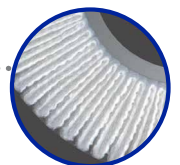
- 1 Media Material : Polysulfone
- 2 Cartridge Length : 1.4 inch
- 3 Gasket : EPDM (standard)
- 4 Sales Unit : 5 pcs



Removal Ratings (µm)	Part Numbers
0.1	WFN 0.1-TFUE 147
0.2	WFN 0.2-TFUE 147
0.45	WFN 0.45-TFUE 147
0.8	WFN 0.8-TFUE 147
1.2	WFN 1.2-TFUE 147

Ultipor® GF-HV

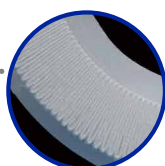
- 1 Media Material : Glass Fiber
- 2 Cartridge Length : 1 inch
- 3 Gasket : EPDM (standard)
- 4 Sales Unit : 6 pcs



Removal Ratings (µm)	Part Numbers
0.1	PUY01ZU001ZJ
0.45	PUY01ZU0045J
1	PUY01ZU010ZJ
2	PUY01ZU220ZJ
3	PUY01ZU030ZJ
6	PUY01ZU640ZJ
10	PUY01ZU100ZJ

Ultipor® N66

- 1 Media Material : Nylon 66
- 2 Cartridge Length : 1 inch
- 3 Gasket : EPDM (standard)
- 4 Sales Unit : 6 pcs



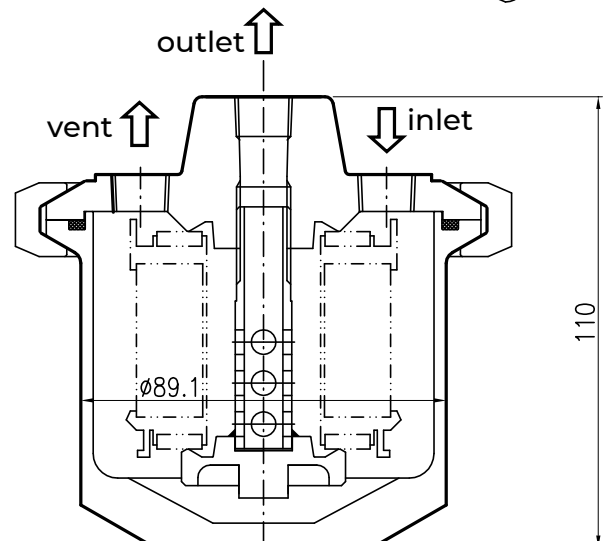
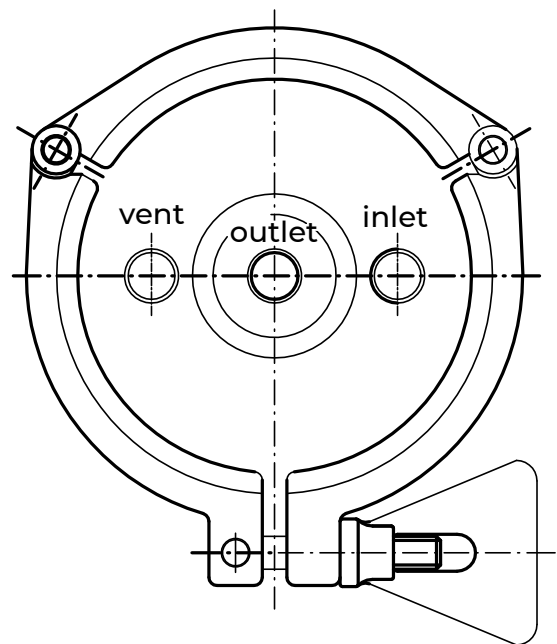
Removal Ratings (µm)	Part Numbers
0.1	PUY01N1EYJ
0.2	PUY01N1AEYJ
0.45	PUY01N1BWJ

Low Volume Test Filter Housing for the Laboratories

Part Number : SVFH-1



- Self-supporting on a stable, flat surface
- Tube (hose) piping type
- Inlet and outlet ports for fluid flow conveniently located on the housing top
- Quick handling for filter replacement



Materials	
Head	316 stainless steel
Bowl	316 stainless steel
Clamp	304 stainless steel
O-ring	FEP encapsulated fluoroelastomer
Electropolished finish of inner and outer surface, non-oil cleaning	

Specifications	
Operating Pressure	0.49 MPa / 71.05 psid
Operating Temperature	40 °C / 104 °F
Weight	2.8 kg
Volume	360 cm ³

Nozzle Dimensions	
Inlet / Outlet	Rc 1/4
Vent / Drain	Rc 1/4

■ Example of Filtration Test Equipment and Test Line



Cautions on filtration test

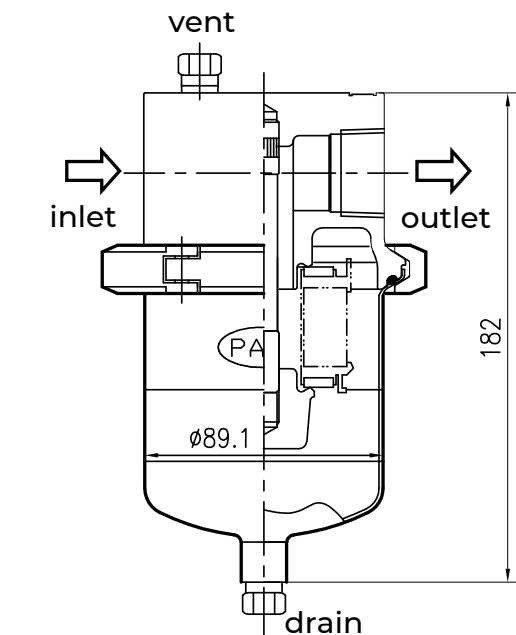
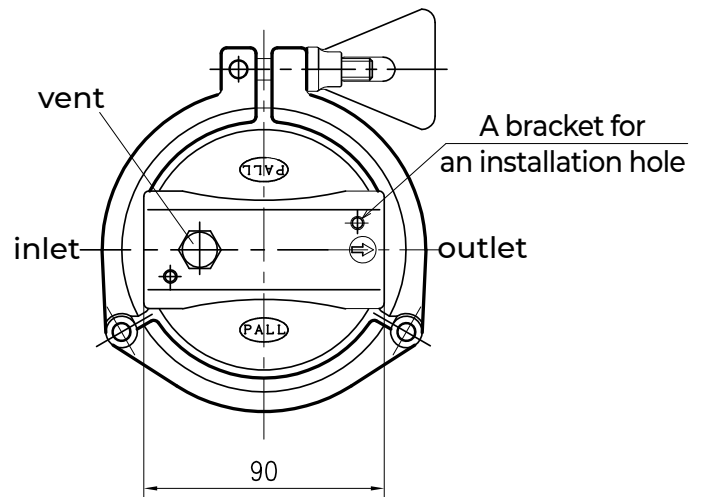
- Install pressure gauges at the inlet and outlet of the filter housing (if there is no air pressure release).
- Install a flow meter between a pump and a filter to test under constant flow conditions.
- Pall recommend use of a pump with pulsation reduced as much as possible. The suction pump is not recommendable.
- You can use a pressure tank.
- To filter a sedimentary fluid, use an agitator to prevent substances from settling.
- Before starting fluid flow, be sure to perform an air purge.
- Pay attention to leaks and liquid dispersion at the connection parts that may occur due to a pressure increase at the inlet side.

Low Volume Test Filter Housing for Filtration Tests at Actual Manufacturing Line

Part Number : SVFH-2



- You can evaluate filters using an actual manufacturing process.
- Any side of the housing can be used as the top or bottom.



Materials	
Head	316 stainless steel
Bowl	316 stainless steel
Clamp	304 stainless steel
O-ring	FEP encapsulated fluoroelastomer
Electropolished finish of inner and outer surface, non-oil cleaning	

Specifications	
Operating Pressure	0.49 MPa / 71.05 psid
Operating Temperature	40 °C / 104 °F
Weight	3.7 kg
Volume	410 cm ³

Nozzle Dimensions	
Inlet / Outlet	IDF 1S
Vent / Drain	Rc 1/4

Inline Sanitary Fitting Type Low Volume Test Filter Housing

Part Number : SVFH-3

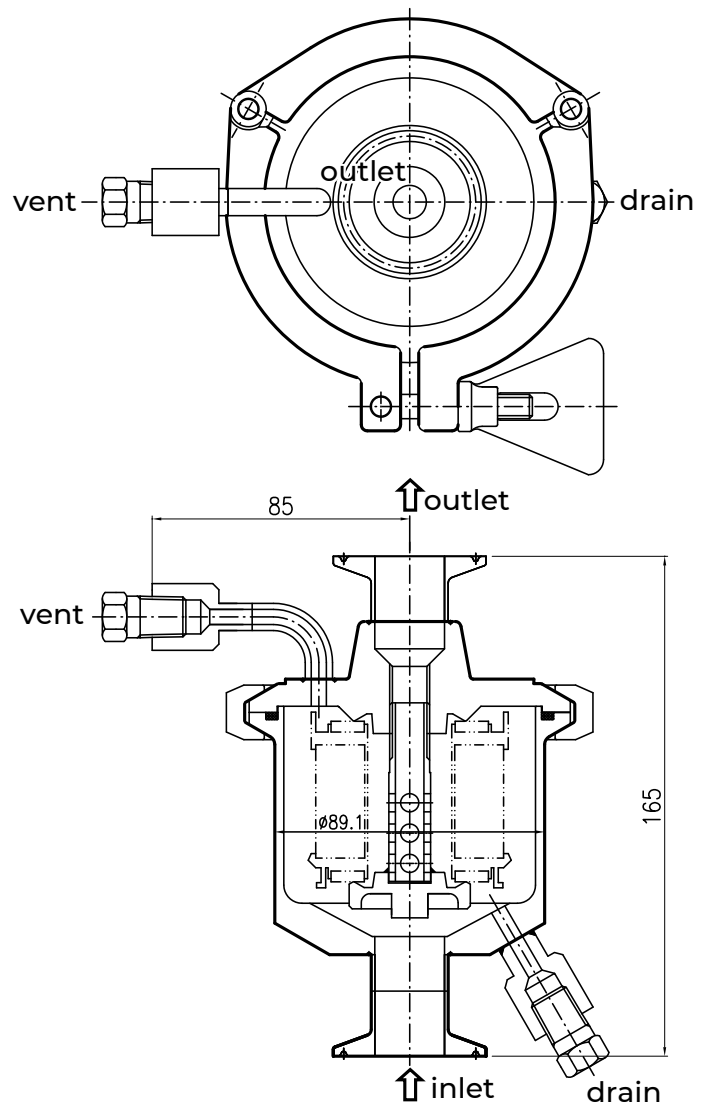


- You can evaluate filters using an actual manufacturing process.
- Ferrule fitting (Flange type fitting) with sanitary specifications.

Materials	
Head	316 stainless steel
Bowl	316 stainless steel
Clamp	304 stainless steel
O-ring	FEP encapsulated fluoroelastomer
Electropolished finish of inner and outer surface, non-oil cleaning	

Specifications	
Operating Pressure	0.49 MPa / 71.05 psid
Operating Temperature	40 °C / 104 °F
Weight	3.7 kg
Volume	410 cm ³

Nozzle Dimensions	
Inlet / Outlet	IDF 1S
Vent / Drain	Rc 1/4



Cautions : Use this housing for bottom-to-top fluid flow.
To replace a filter, remove the housing from pipes and then change the cartridge.



Microelectronics
25 Harbor Park Drive
Port Washington, NY 11050
+1 516 484 3600 telephone
+1 800 360 7255 toll free US

Nihon Pall Ltd.
6-5-1, Nishishinjuku,
Shinjuku-ku
Tokyo 163-1325 Japan
+81 3 6901 5700 telephone
+81 3 5322 2109 fax

Visit us on the Web at www.pall.com/microelectronics
Contact us at www.pall.com/contact

Pall Corporation has offices and plants throughout the world. To locate the Pall office or distributor nearest you, visit www.pall.com/contact.

The information provided in this literature was reviewed for accuracy at the time of publication. Product data may be subject to change without notice. For current information consult your local Pall distributor or contact Pall directly.

IF APPLICABLE Please contact Pall Corporation to verify that the product conforms to your national legislation and/or regional regulatory requirements for water and food contact use.

© Copyright 2024, Pall Corporation. Pall, , Ultipleat, and PhotoKleen are trademarks of Pall Corporation. ® Indicates a trademark registered in the USA.