

SepraLYTE™ Installation and Replacement Procedure



1. Receipt of Equipment

Unpack carefully and check items received against the invoice.

Store the coalescer media in clean, dry conditions between 0°C and 30°C (32 °F and 86 °F) without exposure to direct sunlight, and wherever practical in the packaging as delivered.

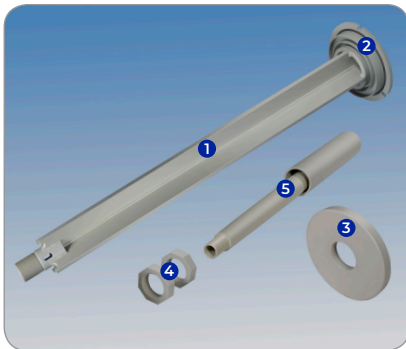
DO NOT remove the coalescer media from packaging until just before installation.

Check that the product is undamaged as received. Damaged items should not be used.

2. Description

IMPORTANT: THE ADAPTOR IS SUPPLIED SEPARATELY WITHOUT THE COALESCER MEDIA INSTALLED

The adaptor comprises of 5 parts.



Adaptor Parts List

- 1 Main Core
- 2 O-ring
- 3 Bottom plate
- 4 Lock nuts
- 5 Drain and Sump

The coalescer media to adaptor sealing is realized by a knife-edge at each end of the adaptor - one at the top of Main Core and second at the bottom plate - which cuts into the coalescer media at each end. No gaskets are necessary.

The adaptor has a simple plug-in fitting into the housing. Sealing is realized by a captive O-ring seal located in a groove at top of the Main Core.

3. Initial Installation of Pall SepraLYTE Coalescer Assembly

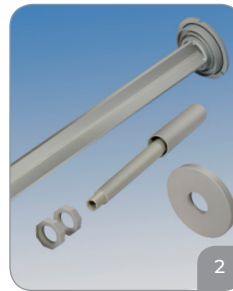
Install the Coalescer Media as follows:



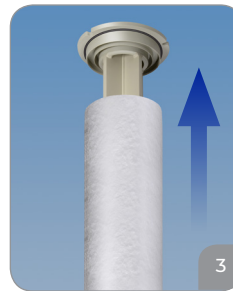
1. Verify that the coalescer media part number corresponds to the correct application.

Carefully cut open the protective bag. **DO NOT** open by pushing the coalescer media through the bag.

The coalescer media should be handled with clean gloves.



2. Verify all the components of the adaptor assembly are available.



3. Carefully install the coalescer media over the Main Core, ensuring it sits on the knife edge at the top.



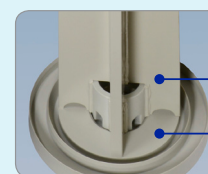
4. Carefully fit the bottom plate, ensuring that the knife-edge seal correctly sits on the coalescer media. The outer shell of the bottom plate must cover the outside surface of the coalescer media.



5. Screw the first lock nut onto the bottom thread of the main core. Tighten enough to ensure that the two knife-edges (top and bottom) cut well into the coalescer media. Screw the second lock nut and tighten to hold the first lock nut in position.

Fix the nuts only by a hand (max. torque 10 Nm / 7.4 lb.ft). The bottom endcap will be mechanically stopped by the adaptor cross. It is not possible to crush the coalescer by tightening the lock nuts

Adaptor and Bottom end-cap fit-up without the coalescer media



Adaptor Cross

Bottom end-cap

IMPORTANT: NO GASKETS ARE REQUIRED FOR SEALING OF THE COALESCER MEDIA TO THE ADAPTOR



6. Screw the Drain and Sump onto the bottom of the main core, without any tools i.e. only with your hands, up to where the thread of the Sump ends.



7. The assembly is ready to be installed in the housing.

Install the Adaptor into the filter plate as follows:

- A good seal is essential for correct operation, therefore ensure the O-ring seal is correctly fitted and in good condition, then lightly lubricate it with process liquid or process water, to aid installation.
- Grasp the adaptor (with the coalescer media installed) and insert into the filter plate inside the housing, with a firm push action to ensure it is correctly seated.

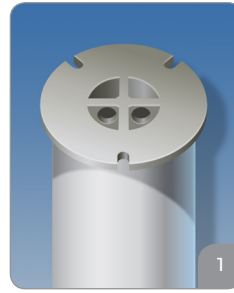
4. Replacing SepraLYTE Coalescer Media

Appropriate personal protection should be used in-line with the user's own Health and Safety procedures, taking into consideration any potential contaminants or fluids present on the coalescer as a result of use.

Pall's SepraLYTE Liquid/Gas Coalescer media should be replaced when the specifications for the process and coalescer are reached. Refer to SepraLYTE datasheet for details of coalescer element differential pressure and temperature specifications.

Shut down coalescer housing in accordance with the operator's own shut-down procedures.

WARNING:
BEFORE PROCEEDING ANY FURTHER, ENSURE NO RESIDUAL PRESSURE EXISTS IN THE HOUSING, AS INDICATED BY PRESSURE GAUGES OR SENSING DEVICES INSTALLED IN THE SYSTEM. OPENING THE HOUSING WHILE UNDER PRESSURE COULD RESULT IN PERSONAL INJURY AND/OR DAMAGE TO EQUIPMENT.



1. Use the holes provided on top of the adaptor cross to pull the adaptor (with the coalescer media) by hand from the filter plate.

2. Unscrew Drain Pipe.

IMPORTANT: CARE TO BE SHOWN HERE AS THE SUMP WILL CONTAIN POTENTIALLY HAZARDOUS LIQUIDS.

3. Unscrew lock nuts

4. Remove the bottom plate. Clean and examine the knife-edge.

5. Remove the coalescer media from the main core

6. Discard coalescer media in accordance with local Health and Safety Procedures.

7. Clean and examine the main core, especially the top knife-edge.

8. Install new SepraLYTE coalescer media in accordance with Section 3 above.

9. Commission the coalescer housing in accordance with the operator's own start-up procedures.

5. Disposal of Used Coalescer Media

Disposal of the used coalescers should be in line with national legislation and local regulatory requirements for the materials of construction and due consideration must be made to the nature of contaminants on the coalescer as a result of use.

6. Spare Parts

For details of spare parts availability, contact Pall representative.

7. Scientific and Laboratory Services

Pall operates a technical service to assist in the application of all coalescer products. This service is readily available to you and we welcome your questions so that we can help. In addition, a full network of technical representatives is available throughout the world.



Corporate Headquarters
Port Washington, NY, USA
+1-800-717-7255 toll free (USA)
+1-516-484-5400 phone

European Headquarters
Fribourg, Switzerland
+41 (0)26 350 53 00 phone

Asia-Pacific Headquarters
Singapore
+65 6389 6500 phone

Visit us on the Web at www.pall.com/industry
Contact us at www.pall.com/contact

Pall Corporation has offices and plants throughout the world. To locate the Pall office or distributor nearest you, visit www.pall.com/contact.

The information provided in this literature was reviewed for accuracy at the time of publication. Product data may be subject to change without notice. For current information consult your local Pall distributor or contact Pall directly.

IF APPLICABLE Please contact Pall Corporation to verify that the product conforms to your national legislation and/or regional regulatory requirements for water and food contact use.

© Copyright 2023, Pall Corporation. Pall,  and SepraLYTE are trademarks of Pall Corporation. ® Indicates a trademark registered in the USA.

PIIOMSLYTEN
September 2023